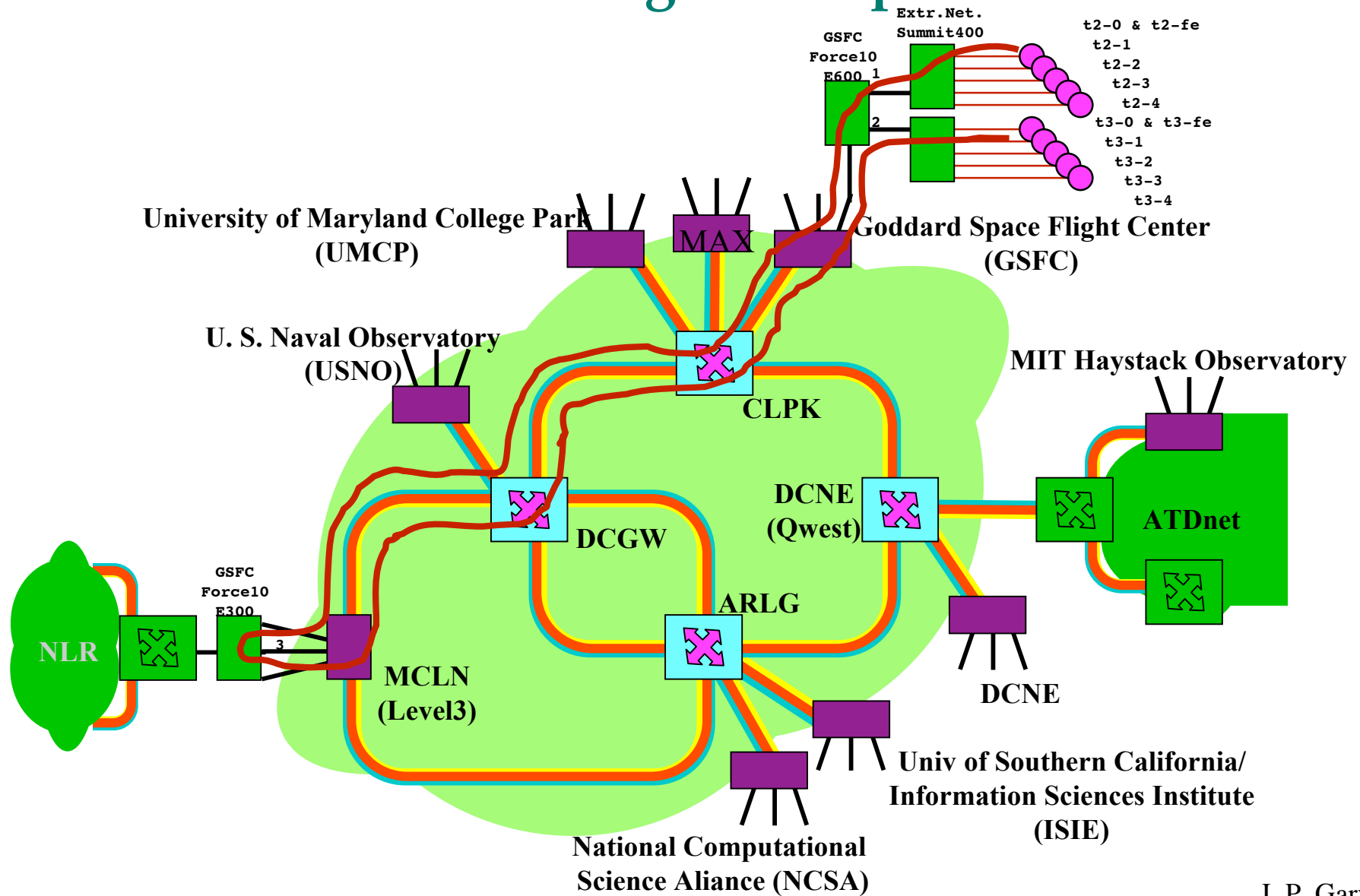
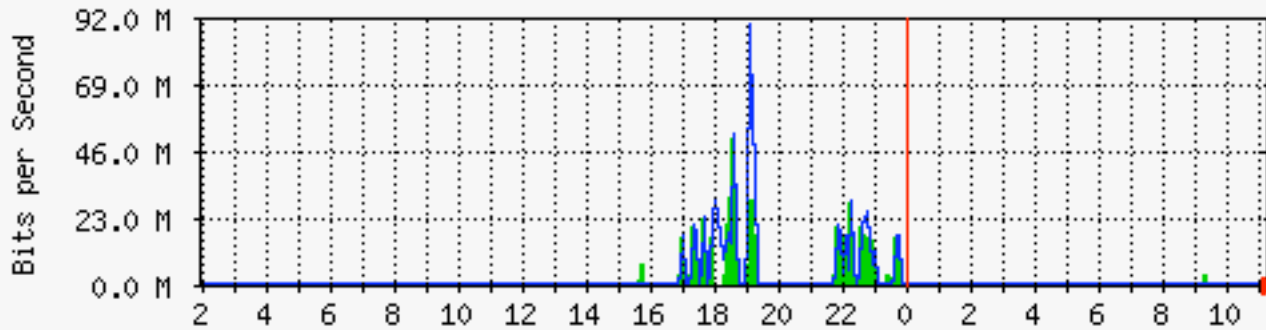


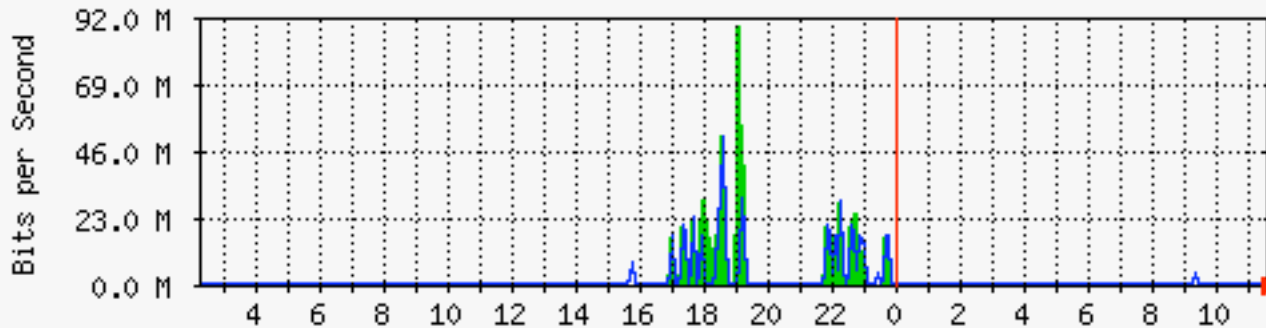
Thunder2-Thunder3 Looped Data Flows Across DRAGON Regional Optical Network



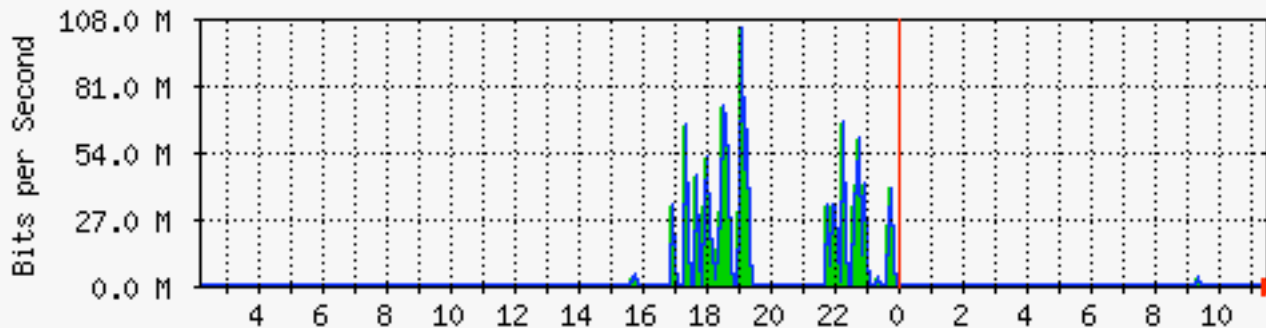
GSFC Scientific and Engineering Network (SEN)
Mrtg-based 'Daily' Graph (5 Minute Average)
Bits per second In and Out
On Selected Interfaces



1. thunder2 10 GigE
3 November 2005



2. thunder3 10 GigE
3 November 2005



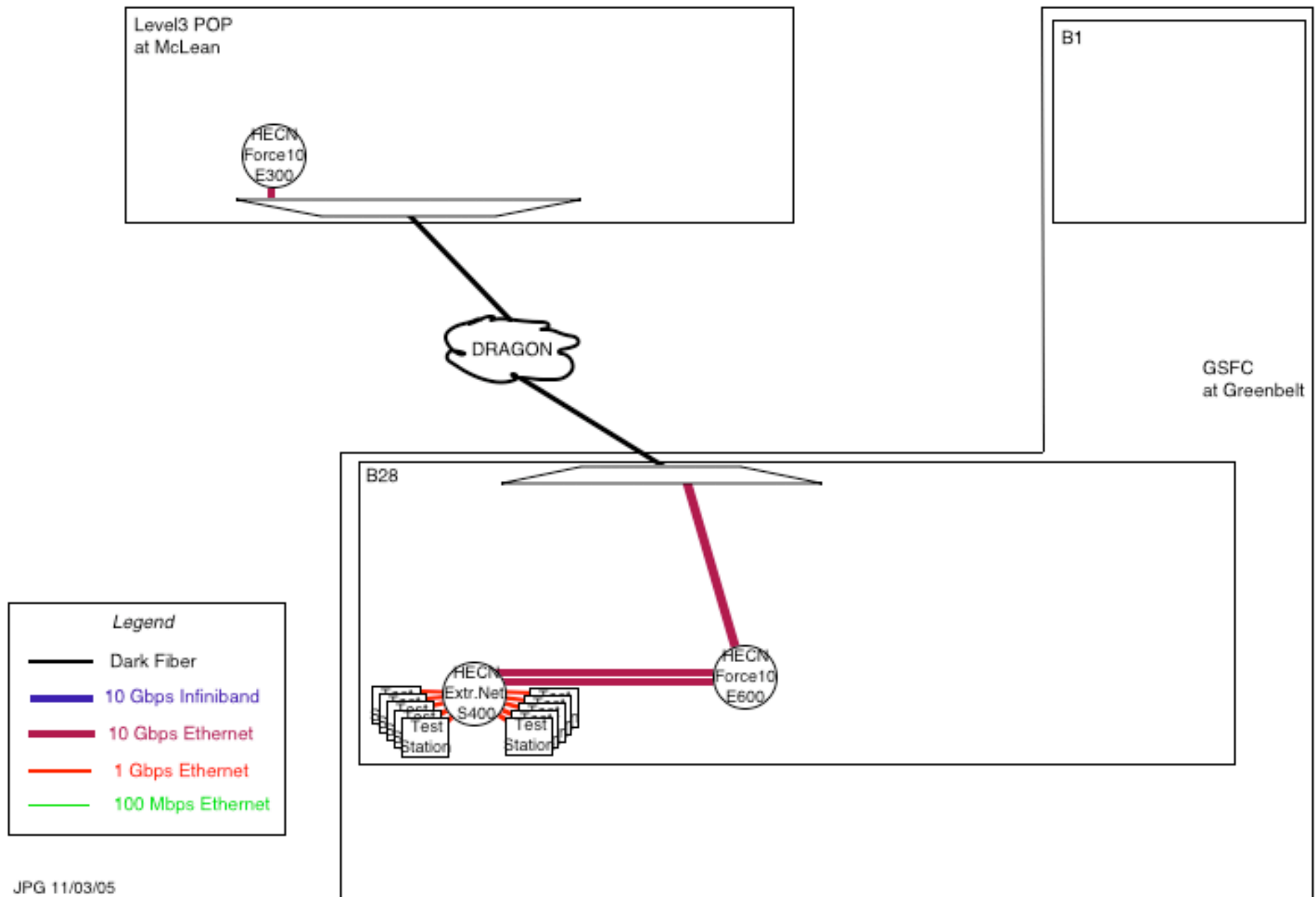
3. GSFC-McLean 10 GigE
"Lambda49" across DRAGON
3 November 2005

Max **In:** 104.2 Mb/s (1.0%)
Max **Out:** 103.8 Mb/s (1.0%)

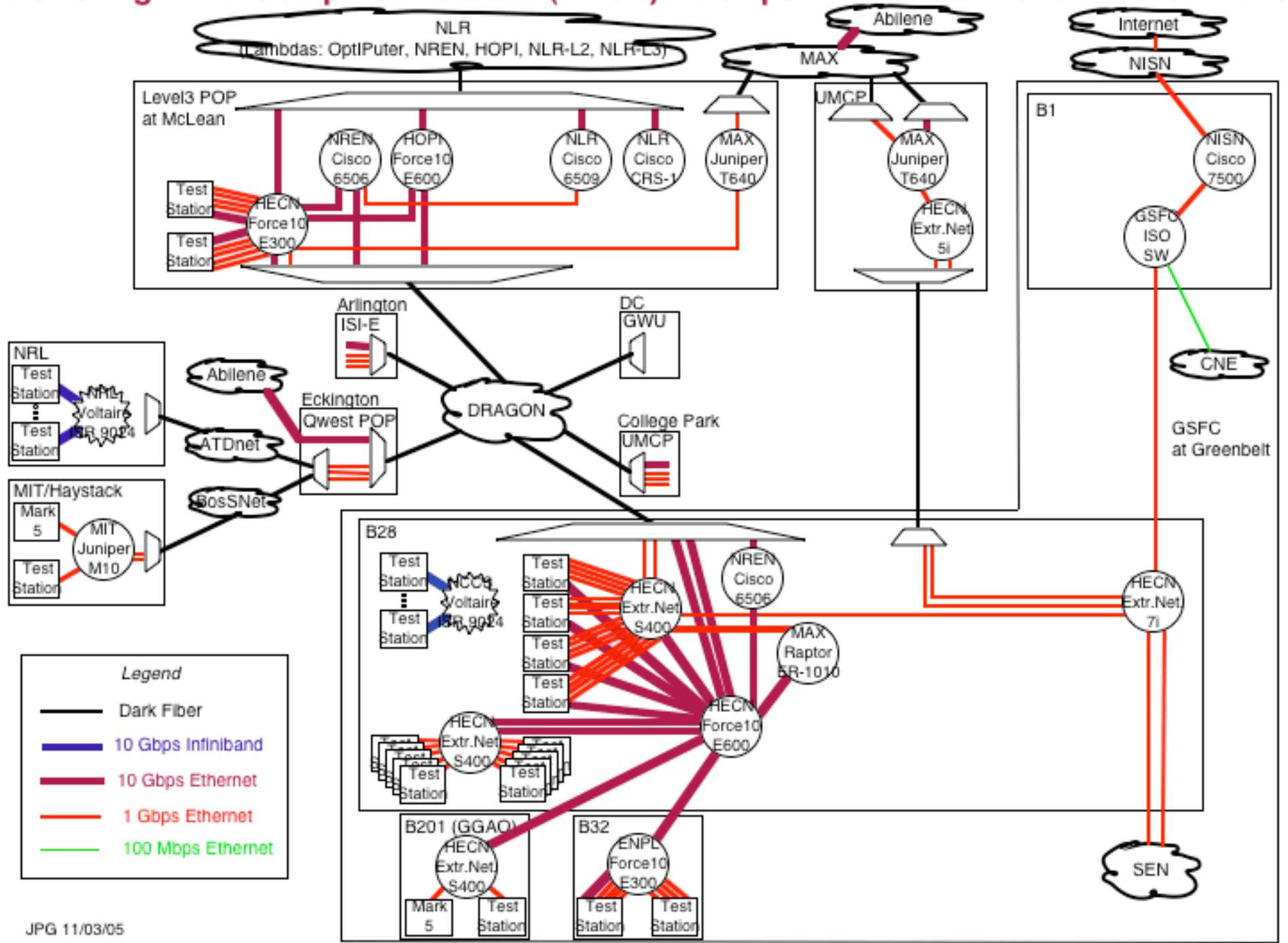
Average **In:** 3302.7 kb/s (0.0%)
Average **Out:** 3291.0 kb/s (0.0%)

Current **In:** 464.0 b/s (0.0%)
Current **Out:** 576.0 b/s (0.0%)

GSFC High End Computer Network (HECN) 10-Gbps Environment circa 15 Nov. 2005



GSFC High End Computer Network (HECN) 10-Gbps Environment circa 15 Nov. 2005



GSFC High End Computer Network (HECN) 10-Gbps Environment circa 30 Jan. 2006

